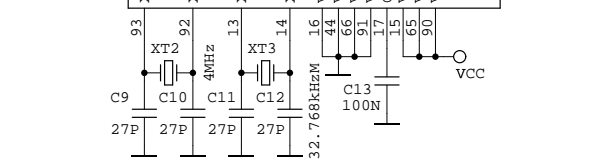
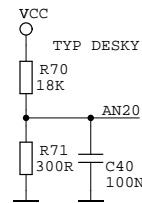


IC1		MB90F345CAPFGSE1	
P37/CLK/OUT7	12	P37/CLK/OUT7	12
P36/RDY/OUT6	11	P36/RDY/OUT6	11
P35/HKQ/OUT5	10	P35/HKQ/OUT5	10
P34/HRQ/OUT4	9	P34/HRQ/OUT4	9
P33/WRH	8	P33/WRH	8
P32/WRL/WR/INT10R	7	P32/WRL/WR/INT10R	7
P31/RD/IN5	6	P31/RD/IN5	6
P30/ALE/IN4	5	P30/ALE/IN4	5
P27/A23/IN3	4	P27/A23/IN3	4
P26/A22/IN2	3	P26/A22/IN2	3
P25/A21/IN1	2	P25/A21/IN1	2
P24/A20/IN0	1	P24/A20/IN0	1
P23/A19/PPGF (E)	100	P23/A19/PPGF (E)	100
P22/A18/PPGD (C)	99	P22/A18/PPGD (C)	99
P21/A17/PPGB (A)	98	P21/A17/PPGB (A)	98
P20/A16/PPG9 (8)	97	P20/A16/PPG9 (8)	97
P17/AD15	96	P17/AD15	96
P16/AD14	95	P16/AD14	95
P15/AD13	94	P15/AD13	94
P14/AD12/SCK3	88	P14/AD12/SCK3	88
P13/AD11/SOT3	87	P13/AD11/SOT3	87
P12/AD10/SIN3/INT11R	86	P12/AD10/SIN3/INT11R	86
P11/AD09/TOT1	85	P11/AD09/TOT1	85
P10/AD08/TIN1	84	P10/AD08/TIN1	84
P07/AD07/INT15	83	P07/AD07/INT15	83
P06/AD06/INT14	82	P06/AD06/INT14	82
P05/AD05/INT13	81	P05/AD05/INT13	81
P04/AD04/INT12	80	P04/AD04/INT12	80
P03/AD03/INT11	79	P03/AD03/INT11	79
P02/AD02/INT10	78	P02/AD02/INT10	78
P01/AD01/INT9	77	P01/AD01/INT9	77
P00/AD00/INT8	76	P00/AD00/INT8	76
PA1/TX0	75	PA1/TX0	75
PA0/RX0/INT8R	74	PA0/RX0/INT8R	74
P97/OUT3	73	P97/OUT3	73
P96/OUT2	72	P96/OUT2	72
P95/OUT1	71	P95/OUT1	71
P94/OUT0	70	P94/OUT0	70
P93/PPG7 (6)	69	P93/PPG7 (6)	69
P92/PPG5 (4)	68	P92/PPG5 (4)	68
P91/PPG3 (2)	67	P91/PPG3 (2)	67
P90/PPG1 (0)	66	P90/PPG1 (0)	66
MD2	51	MD2	51
MD1	52	MD1	52
MD0	53	MD0	53
RST	54	RST	54

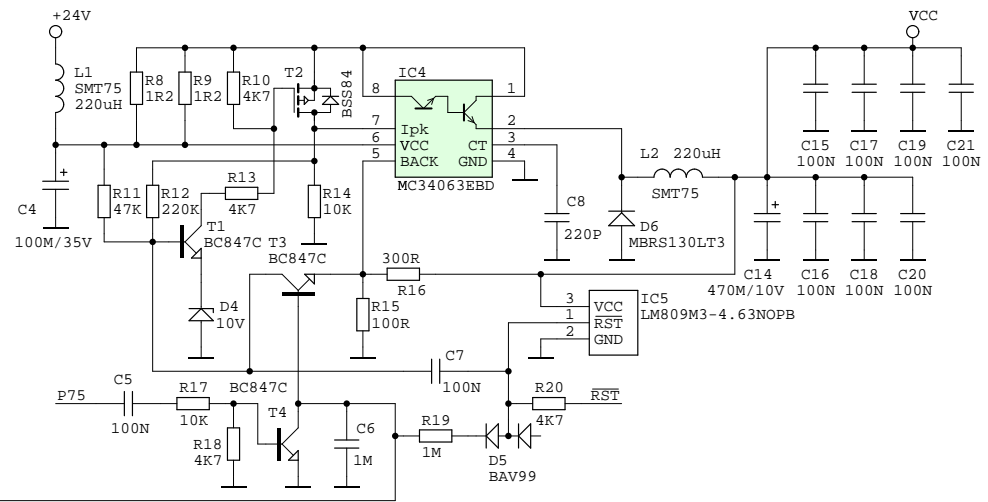
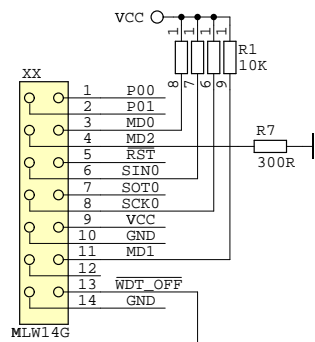
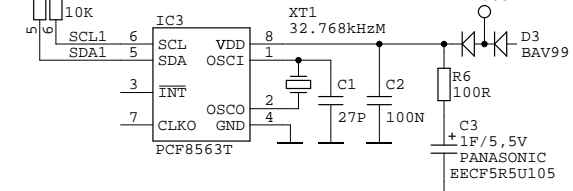
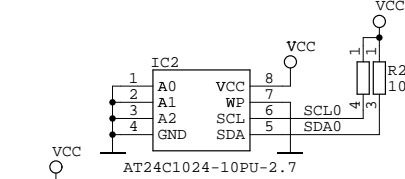
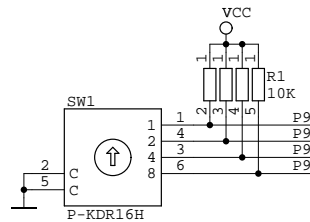
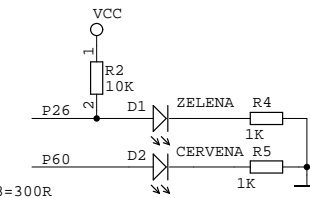


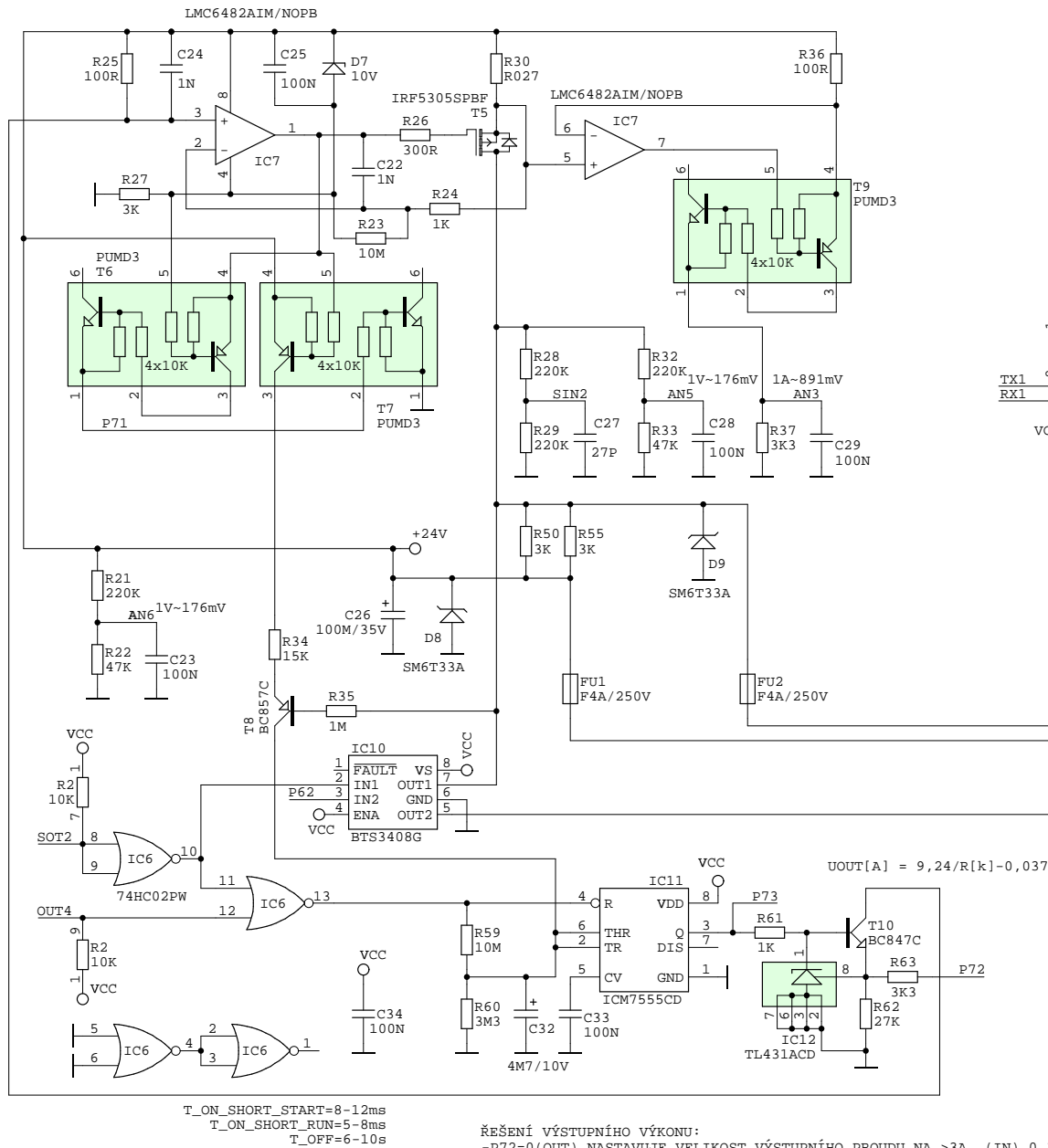
ALL SMD RESISTORS 1% TOL.



ČÍSLO TYPY DESKY = N <1..62>

TYP INTEC25B1:  
R71 = R70/(63/N-1)  
N = 63\*R71/(R70+R71)  
TYP TĚTO DESKY N=1, R737=18K, R738=300R





T\_ON\_SHORT\_START=8-12ms  
 T\_ON\_SHORT\_RUN=5-8ms  
 T\_OFF=6-10s

ŘEŠENÍ VÝSTUPNÍHO VÝKONU:  
 -P72=0(OUT) NASTAVUJE VELIKOST VÝSTUPNÍHO PROUDU NA >3A, (IN) 0,3A  
 -OUT4=0 ZAPÍNA VÝKONOVÝ VÝSTUP  
 -KOMUNIKACI JE MOŽNÉ SPUSTIT, JEN POKUD PX1=0 (MAX 25 ms PO STARTU)  
 -POKUD JE OUT4=0 & P73 = 0, ZABRALA ČASOVÁ OCHRANA. OUT4 -> 1.  
 -RESTART PO ČASOVÉ OCHRANĚ NEJDRÍVE PO 15-TI VTEŘINÁCH

